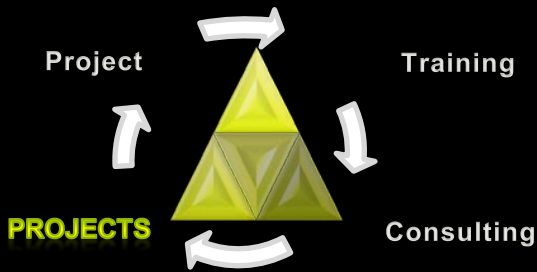


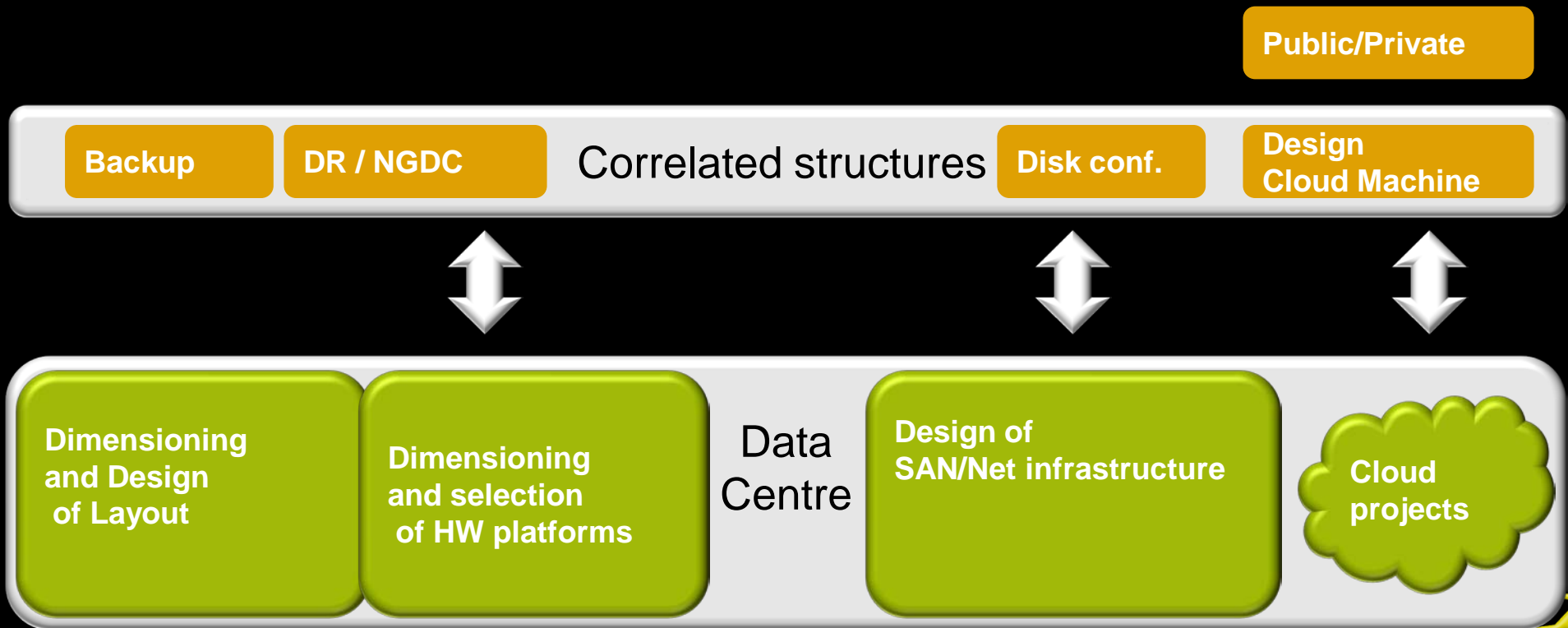
Infrastructure Services



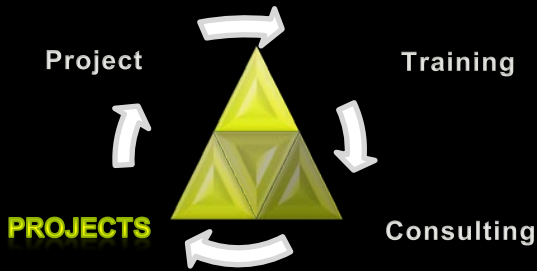
Infrastructure projects: Architecture



Atlas Reply provides a 360° architecture infrastructure design, from CED to the individual services deployed over the infrastructures



Infrastructure projects: Configuration

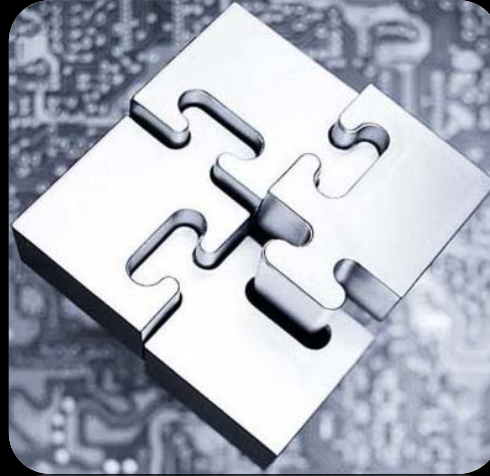
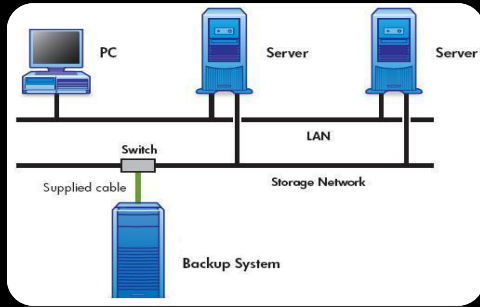
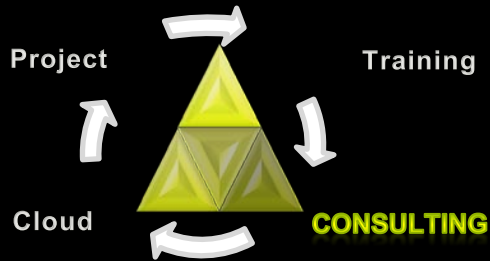


Atlas Reply's team has certified expertise in the leading multi-platform solutions on today's market and provides services in:

Configuration Management

Server	SAN	Backup	DR / NGDC	projects
<ul style="list-style-type: none"> • Physical installation of racks • OS installation • Network configuration • Disk configuration • Backup configuration 	<ul style="list-style-type: none"> • Factory configurations • Array configuration • Zone configuration • Configuration of Disks to Host 	<ul style="list-style-type: none"> • VTL / NAS / TAN installation and configuration • Backup policy configuration • Daily recovery plans 	<ul style="list-style-type: none"> • Creation of Disaster Recovery Plan • Implementation of handoff procedures for CED switches • Configuration of Storage to Storage and Application Copies (Oracle DataGuard) 	<ul style="list-style-type: none"> • Server implementation on Amazon or other leading providers • Middleware configuration on public server • Private Cloud installation and configuration • Private solutions

Infrastructure consulting



Guiding the client to
the right solutions

Advanced technology

Putting all the pieces of
the puzzle together:

CED
SERVER and DISKS
Networks
Applications
Services to be provided

Problem solving



Thanks

www.reply.eu

